

# Series L-Ganged

Ganged version of our L series filtered jacks. Available in RJ11 models with block inductors in gangs of 2, 4, or 6. Retrofits existing unfiltered ganged jack footprints.

## Specifications

### Contacts

Material: Phosphor bronze  
 Plating: 50 microinches gold  
 Barrier underplating: 100 microinches nickel  
 Resistance:  
     Initial: 20 milliohms maximum  
     After durability testing (500 mating cycles): 30 milliohms maximum

### Ferrites

Type: High resistivity, nickel zinc ceramic  
 Sleeves: Single-aperature cylinders  
 Block: Multi-aperature rectangular prism

### Shield Material

Solder-plated copper alloy

### Housing Material

Glass-filled polyester (UL94V-O)

### Dielectric Withstanding Voltage

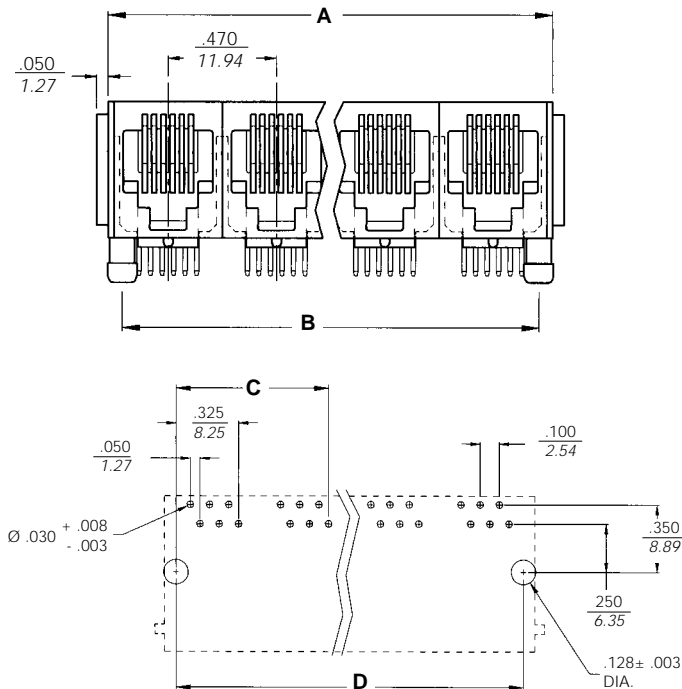
Line-to-line and line-to-ground 1000 VAC for 60 seconds

### Printed Circuit Board Retention

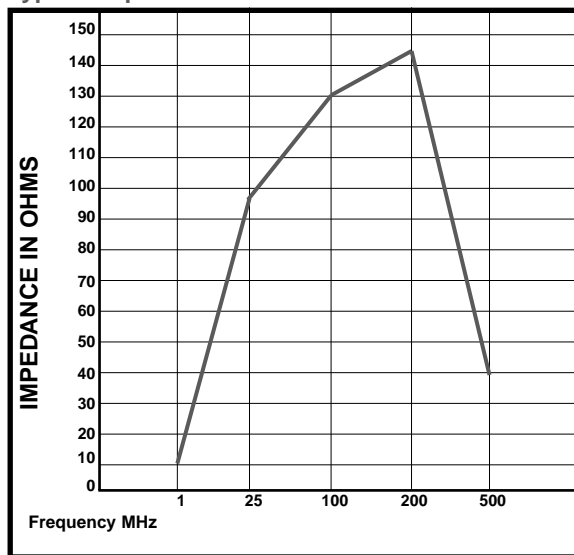
Before soldering: 1 lb. minimum  
 After soldering: 20 lb. minimum

## Model Dimensions and PC Board Layout

Metric shown in italics.



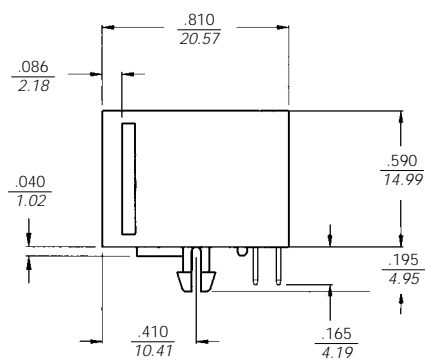
Typical Impedance in Ohms



## Pricing

Consult your local Corcom sales representative for pricing.

Part No.	Part No.
2RJ11-6L-B	6RJ11-6L-B
4RJ11-6L-B	



Ports	A	B	C	D
2	<u>.99</u> 25.15	<u>.87</u> 22.1	<u>.795</u> 20.19	<u>.87</u> 22.1
4	<u>1.93</u> 49.02	<u>1.81</u> 45.97	<u>1.735</u> 44.07	<u>1.81</u> 45.97
6	<u>2.87</u> 72.9	<u>2.75</u> 69.85	<u>2.675</u> 67.95	<u>2.75</u> 69.85